

1

2

3

4

A

A

B

B

C

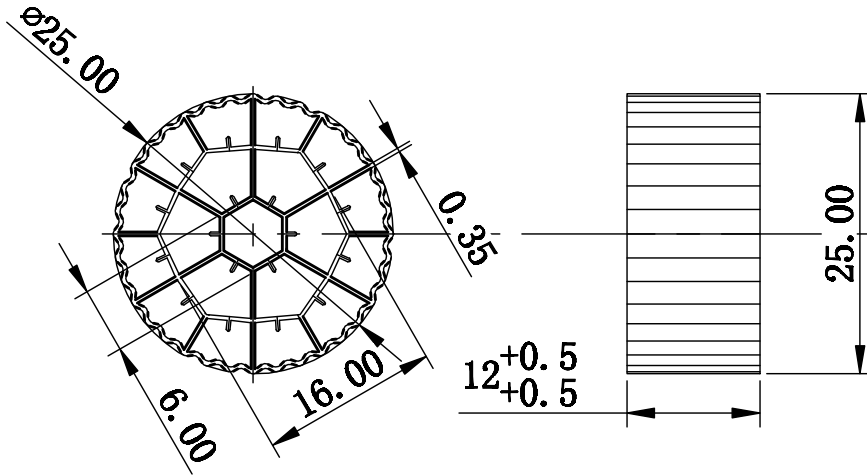
C

D

D

E

E



I CONFIRM, THAT THIS PROFILE SECTION IS OK. I ALSO CHECKED THIS PROFILE-SECTION WITH MY HARDWARE AND WITH MY SEALS AND GASKETS-MANUFACTURER. I CONFIRM, THAT THIS PROFILE SECTION IS OK FOR THE HARDWARE THAT I WANT TO USE.

DATE, SIGNATURE: _____

AONA EXTRUSION TOOLING

drawing 2



<https://www.aonatooling.com>

1

2

3

4