

1

2

3

4

A

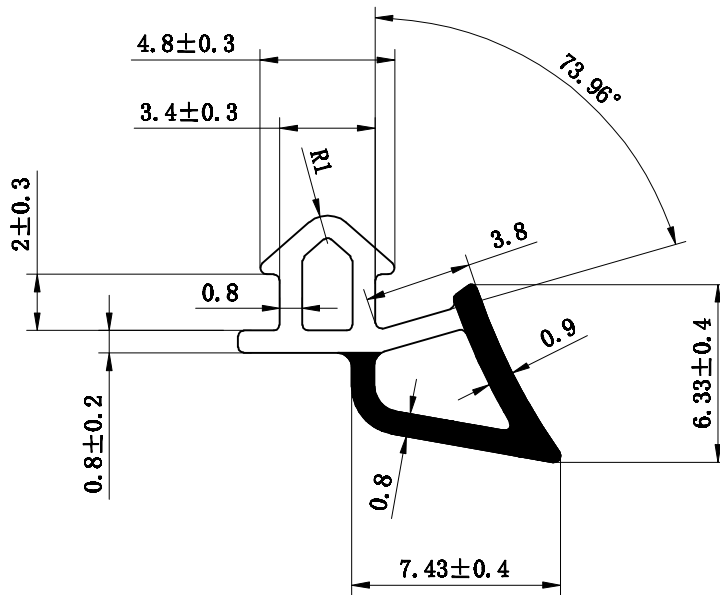
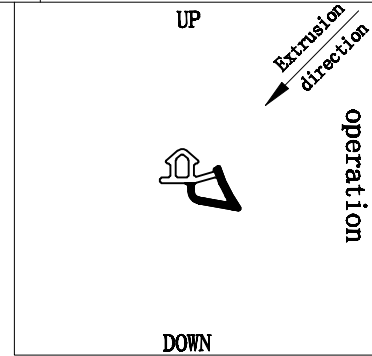
B

C

D

E

F



1:1

I CONFIRM, THAT THIS PROFILE SECTION IS OK. I ALSO CHECKED THIS PROFILE-SECTION WITH MY HARDWARE AND WITH MY SEALS AND GASKETS-MANUFACTURER. I CONFIRM, THAT THIS PROFILE SECTION IS OK FOR THE HARDWARE THAT I WANT TO USE.

DATE, SIGNATURE: _____

AONA EXTRUSION TOOLING

TPE 1



<https://www.aonatooling.com>

1

2

3

4